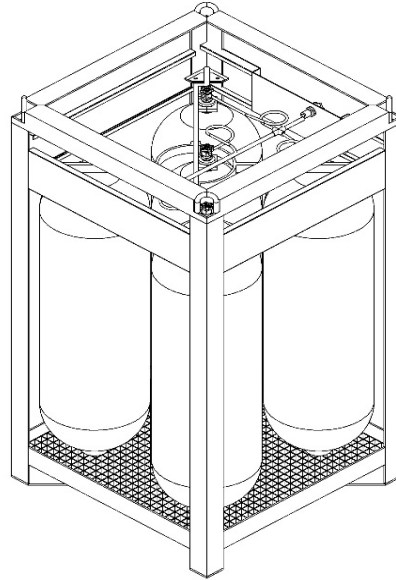
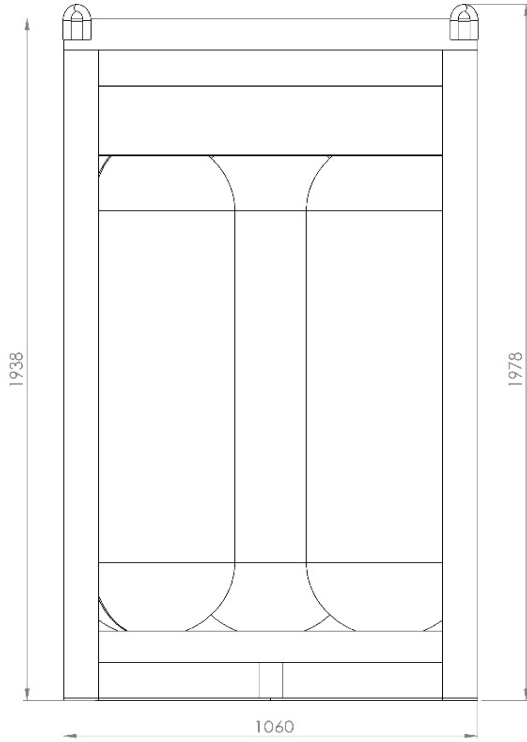


Technical Data Sheet



5 Cylinders Bundle Transport Module		
Working pressure:	200	(bar)
Water volume:	750	(l)
CNG volume:	188*	(Nm3)
CNG weight:	132*	(kg)
Number of K-Store® CNG cylinders Type 4:	5	(pcs)
Overall Dimensions		
Length	1060	(mm)
Width	1060	(mm)
Height	1978**	(mm)
Package weight (empty):	530**	(kg)

* Theoretical values (15°C) under ideal conditions

** Variation possible due to manufacturing reasons

